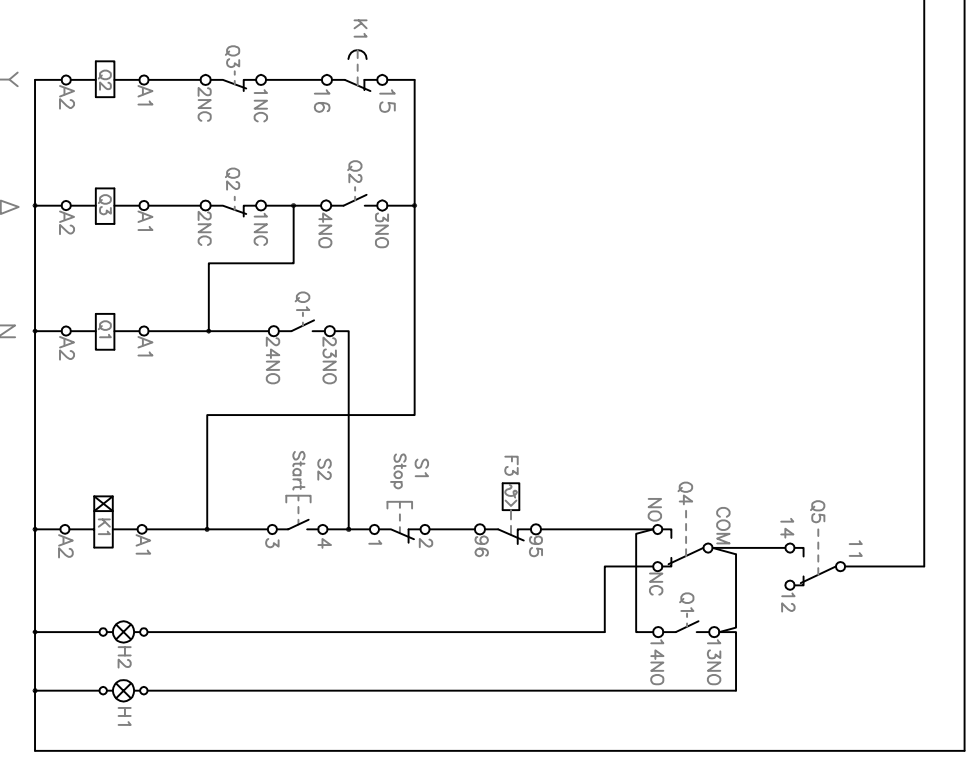


- Component list:
- Q1 Contactor AF38 Uc:250-500V~
 - Q2 Contactor AF38 (Star) Uc:250-500V~
 - Q3 Contactor AF38 (Delta) Uc:250-500V~
 - Q4 Rotary field detection 400V~
 - Q5 Thermistor monitoring 230V
 - H1 Control light white (Operation)
 - H2 Failure lamp red (Phase sequence error)
 - K1 Star-Delta-Timer 380-415V
 - S1 Stop
 - S2 Start
 - S3 Rotary field switch 1-0-2
 - T1 Transformer 400/230V 1,5VA
 - F1 Control fuse F2,0A
 - F2 Control fuse F2,0A
 - F3 Overload protection TF42-35A (32A)
 - F4 Thermistor
 - F5 Circuit breaker 3B16A
 - M1 Motor 30KW
 - M2 Fan option



Ind.	Änderung	Tag	Name	Bezeichnung
				GHH-Rand
				Box/St-Dr-Auto/M58A
				ZgNr. e_02320132

Ind.	Änderung	Tag	Name	Bezeichnung
				GHH-Rand
				Box/St-Dr-Auto/M58A
				ZgNr. e_02320132